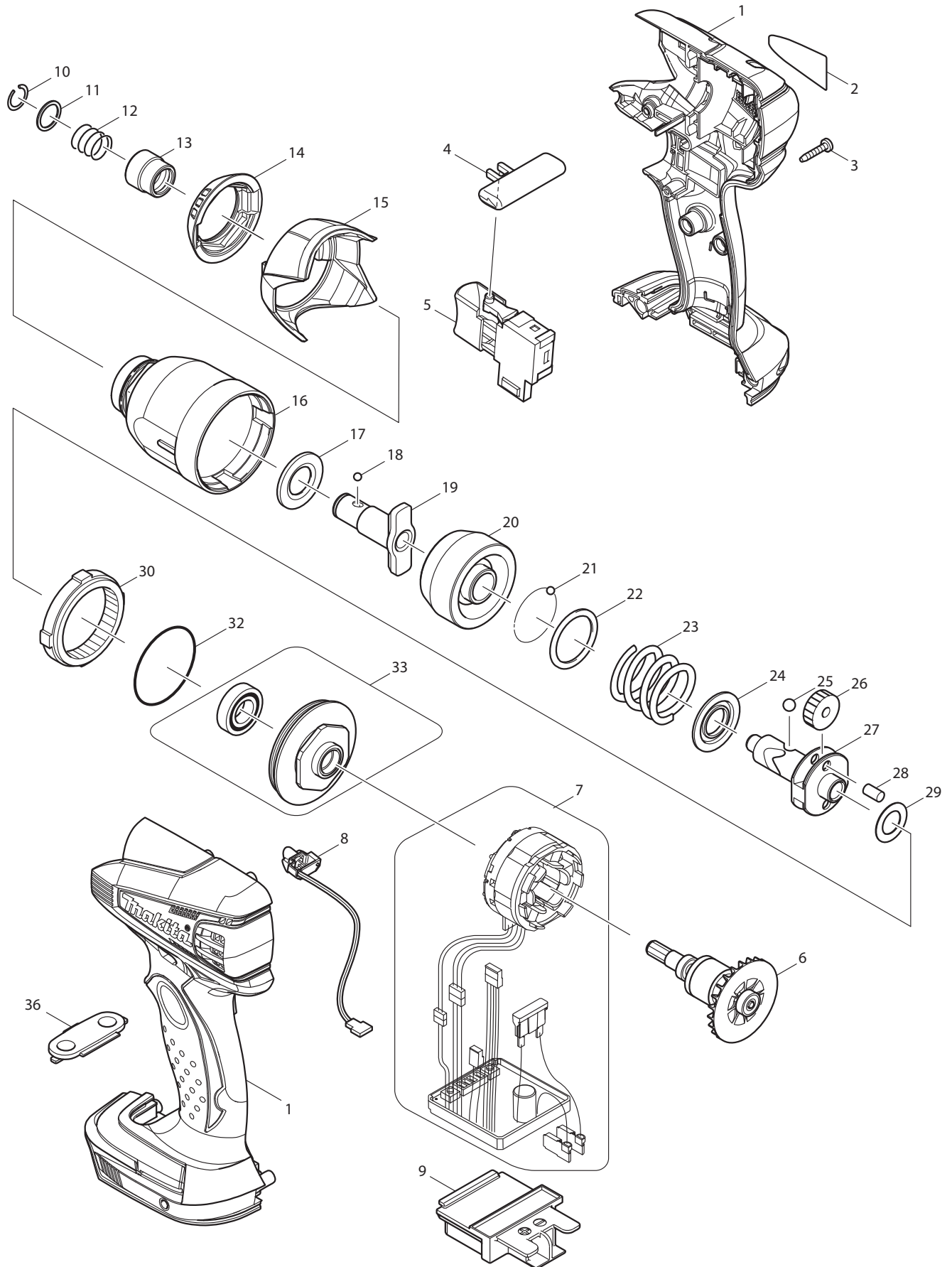




08 - 2010

BTD144Z

18V BRUSHLESS IMPACT DRIVER



Item No.	Type	Sub	Part No.	Description	Qty	Unit
1			188632-4	HOUSING SET	1	SET
		INC.	810476-1	CAUTION LABEL	1	PC.
2			866396-7	BTD144 NAME PLATE	1	PC.
3			266130-9	TAPPING SCREW BIND PT 3X16	9	PC.
4			419041-9	F/R CHANGE LEVER	1	PC.
5			650607-8	SWITCH	1	PC.
6			619239-0	ROTOR	1	PC.
7			638656-5	STATOR UNIT	1	PC.
		INC.	194922-5	CONTROLLER SET	1	SET
		INC.	194923-3	STATOR SET	1	SET
8			631829-9	LED CIRCUIT	1	PC.
9			643833-6	TERMINAL	1	PC.
10			231951-8	RING SPRING 11	1	PC.
11			267085-1	FLAT WASHER 12	1	PC.
12			233005-7	COMPRESSION SPRING 13	1	PC.
13			324878-0	SLEEVE	1	PC.
14	1		424153-5	* BUMPER	1	PC.
	2		424362-6	* BUMPER	1	PC.
15	1		450792-5	* HAMMER CASE COVER	1	PC.
	2		452293-9	* HAMMER CASE COVER	1	PC.
16			154590-6	HAMMER CASE COMPLETE	1	PC.
17			261108-7	NYLON WASHER 14	1	PC.
18			216001-0	STEEL BALL 3.5	2	PC.
19			324870-6	ANVIL M	1	PC.
20			325671-5	HAMMER	1	PC.
21			216001-0	STEEL BALL 3.5	24	PC.
22			267175-0	FLAT WASHER 24	1	PC.
23			234082-2	COMPRESSION SPRING 25	1	PC.
24			267766-7	CUP WASHER 14	1	PC.
25			216011-7	STEEL BALL 5.6	2	PC.
26			226336-1	SPUR GEAR 22	2	PC.
27			324552-0	SPINDLE	1	PC.
28			256253-1	PIN 5	2	PC.
29			267212-0	FLAT WASHER 12	1	PC.
30			227150-8	INTERNAL GEAR 51	1	PC.
32			213507-9	O RING 40	1	PC.
33			158145-9	BEARING BOX COMPLETE	1	PC.
36			158856-6	SWITCH PLATE COMPLETE	1	PC.
37			251314-2	(+) T.H. SCREW M4X12 (F/HOOK)	1	PC.

ACCESSORIES

A01	1		DC18RA	DC18RA BATTERY CHARGER	1	PC.
	2		DC18RC	DC18RC BATTERY CHARGER	1	PC.
			DC18SD	DC18SD BATTERY CHARGER	1	PC.
			DC18RAKIT	CHARGER DC18RA + BATTERY BL1830	1	SET
			DC18SE	AUTOMOTIVE CHARGER DC18SE	1	PC.
			DC24SA	CHARGER F/7.2-24V, 1.3-3.3AH	1	PC.
			DC24SC	CHARGER F/7.2-24V, 1.3-3.3AH	1	PC.
A02			824812-5	PLASTIC CARRYING CASE (BLOW MOLD)	1	PC.
		INC.	163455-1	METAL LATCH	2	PC.
			824753-5	PLASTIC CARRYING CASE (OPTIONAL)	1	PC.
		INC.	324207-7	SHAFT	1	PC.
		INC.	413098-2	PLATE	4	PC.
		INC.	417724-5	LATCH	2	PC.
		INC.	419215-2A	PLASTIC CASE LID, TAB TYPE (HOOK TYPE - N/L/A)	1	PC.
		INC.	419216-0	HANDLE	1	PC.

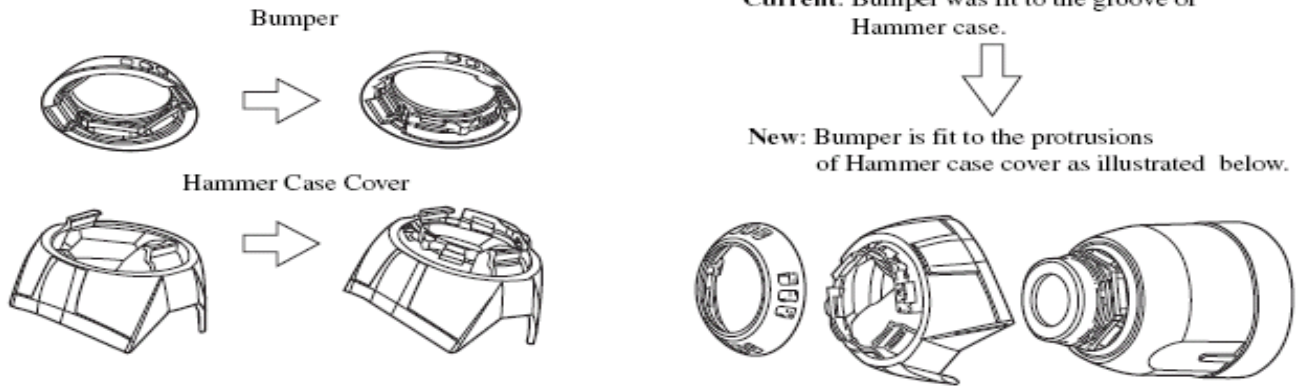
Item No.	Type	Sub	Part No.	Description	Qty	Unit
A03			450128-8	BATTERY COVER	1	PC.
A04			194205-3	18V LI-ION BATTERY BL1830	1	PC.
			194230-4	18V LI-ION BATTERY BL1830 (2/PK)	2	SET
			194309-1	18V LI-ION BATTERY BL1815	1	PC.
			194428-3	18V LI-ION BATTERY BL1815 (2/PK)	2	SET
A05	1		324705-1	HOOK F/ BL1830	1	PC.
	2		346449-3	HOOK F/ BL1830, BL1815	1	PC.
	OPT1		346034-2	HOOK F/ BL1815	1	PC.
	Opt2		346449-3	HOOK F/ BL1830, BL1815	1	PC.
A07			194649-7	BATTERY PROTECTOR	1	PC.

SERVICE CHANGES

1. CHANGES ON BUMPER AND HAMMER CASE COVER

Item No.	Description	Type1	Type2
14	Bumper	424153-5	424362-6
15	Hammer Case Cover	450792-5	452293-9

*Above parts are completely interchangeable as a set.



2. Changes on Hook

Item No.	Description	Type 1	Type 2
A05	Hook	324705-1	346449-3
A05	Hook	346034-2	

